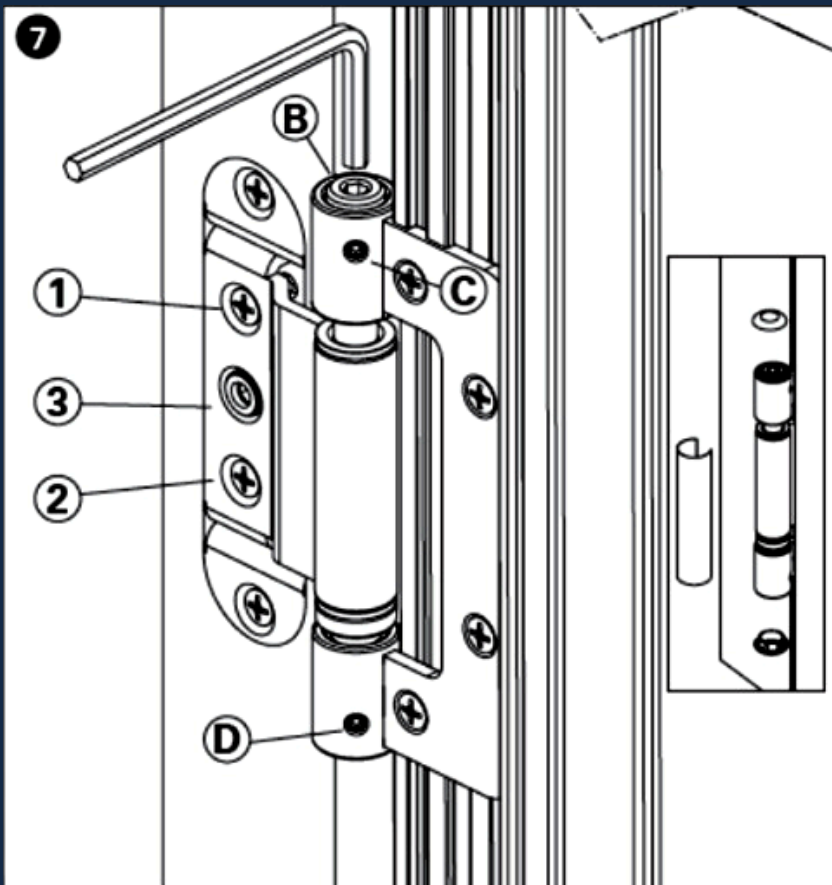




**FUTURE PRODUCTS LTD**  
OUR PRODUCTS ARE YOUR FUTURE

# SFS 2-DC Adjustment Instruction Sheet



## Horizontal Adjustment:

Unscrew by three turns, screws **(1)** & **(2)** (**do not fully retract**). Tighten or loosen alternately screw **(3)** with a 4mm Allen Key. Tighten screws **(1)** and **(2)**.  
Adjustment  $\pm 2\text{mm}$ .

## Height:

Loosen the screws marked **(C)** and **(D)**. Turn the pin with a 4mm Allen Key as shown in figure 7.  
Adjustment  $-2/+6\text{mm}$ .

**Insert caps and cover as shown in figure.**



@futureproduct30



@Future-Products-Ltd



@future-products-ltd



@futureproductsltd