





Support available

- 

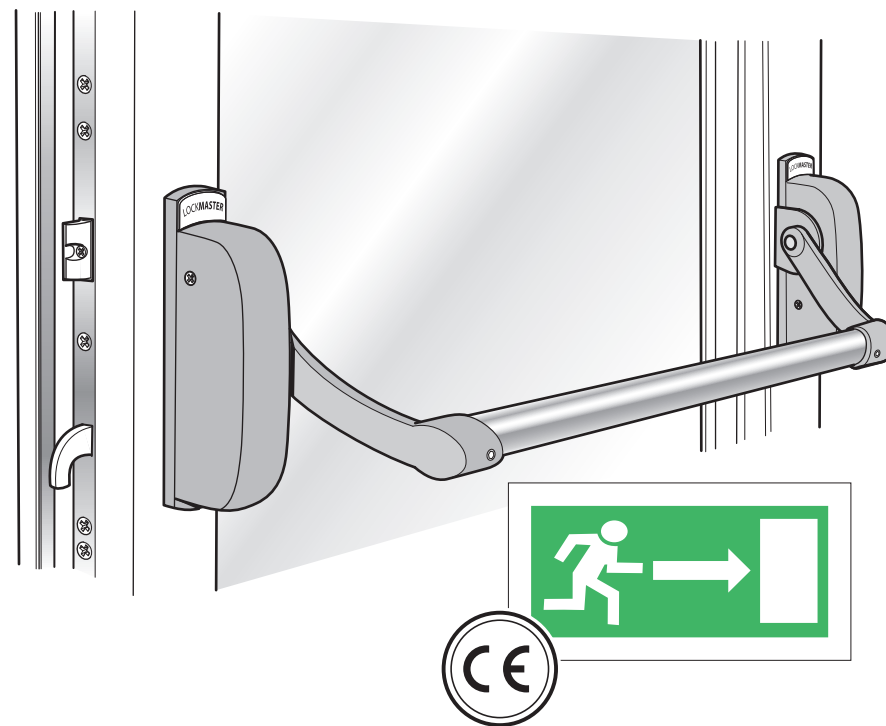
Installation videos
Available on yaledws.co.uk and youtube
- 

End user videos
Available on yaledws.co.uk and youtube
- 

Installation guide
Easy to follow installation guide/booklet
- 

Maintenance
Ongoing maintenance guidance and record log

Lockmaster® Panic Exit Device Installation Guide



Yale Door and Window Solutions
School Street
Willenhall
West Midlands
WV13 3PW

THE YALE BRAND, with its unparalleled global reach and range of products, reassures more people in more countries than any other consumer locking solution.

THE ASSA ABLOY GROUP is the world's leading manufacturer and supplier of locking solutions, dedicated to satisfying end-user needs for security, safety and convenience.

Yale Panic push bar install
Issue 01 06.06.2018

LOCKMASTER®
MULTI-POINT PANIC DOOR LOCK

| | |
|--|-------|
| Index | 02 |
| In the kit : Single Door | 03 |
| In the kit : Double Door | 04 |
| In the kit : Outside access door handle | 05 |
| Preparing the door | 06 |
| Handing the kit, Left or Right | 07 |
| Attaching the units to the door | 08-09 |
| Double door kit installation | 10 |
| Outside access installation | 11-12 |
| Installing and trimming the bar | 13 |
| Funtionality test and fitting the covers | 14 |
| Final functionality check | 15 |
| Support | 16 |



| | |
|-------------------------------|--|
| CE 0425 - 2326 - 11 | Yale Door & Window Solutions School Street, Willenhall, West Midlands WV13 3PW www.yaledws.co.uk |
| EN1125: 2008 | 3-7-6-0-1-4-2-1-A-A |



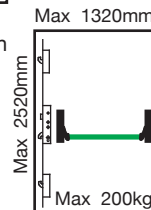
PED1000 Panic Exit Device European Patent Application No. 09155542.5

The safety features of this exit device are of fundamental importance to ensure its compliance with European Standard EN1125.

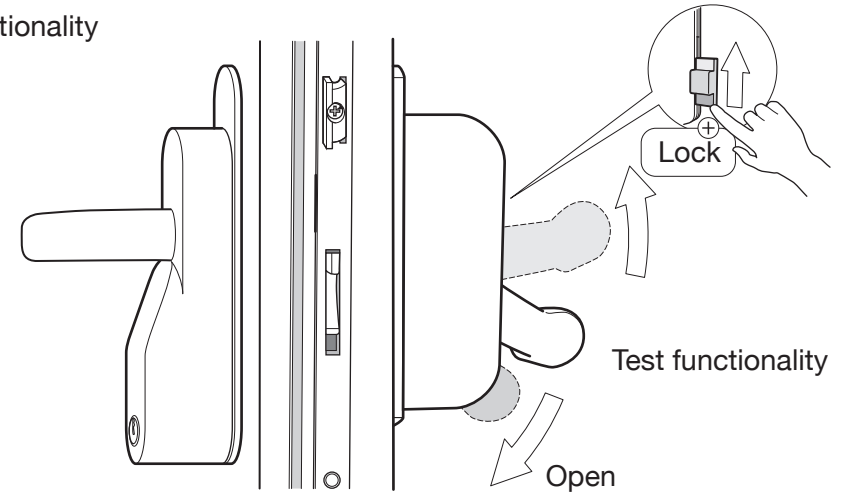
No modifications of any kind to the device other than those described in the fitting instructions are permitted. Attention: Exit devices shall not include dogging (hold unlocked) when fitted to fire or smoke door assemblies.

It is illegal to place windows and external pedestrian doorsets on the market without a CE mark and a Declaration of Performance. This is due to the European Construction Products Regulation which is EU law. The approved method to demonstrate compliance with the Construction Products Regulation for external doors and windows is described in the European Standard EN 14351-1 windows and external pedestrian doorsets without resistance to fire and smoke leakage characteristic.

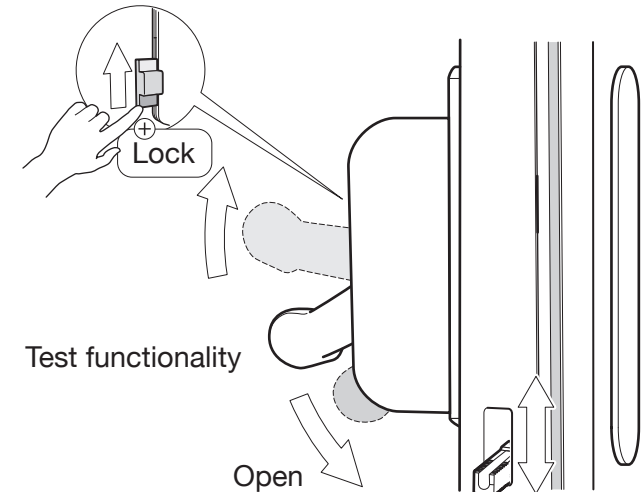
Requirements for emergency or panic exit devices falls under AVCP system 1 and requires that a Notified Body confirms your compliance by providing a Certificate of Constancy of Performance (CoCoP) for your doorset. Any emergency exit device or panic exit device fitted to a doorset must have been tested and CE marked (Certificate of Performance available on the Yale DWS Web Site) to relevant standards EN 179, EN 1125, prEN 13633 or prEN 13637.



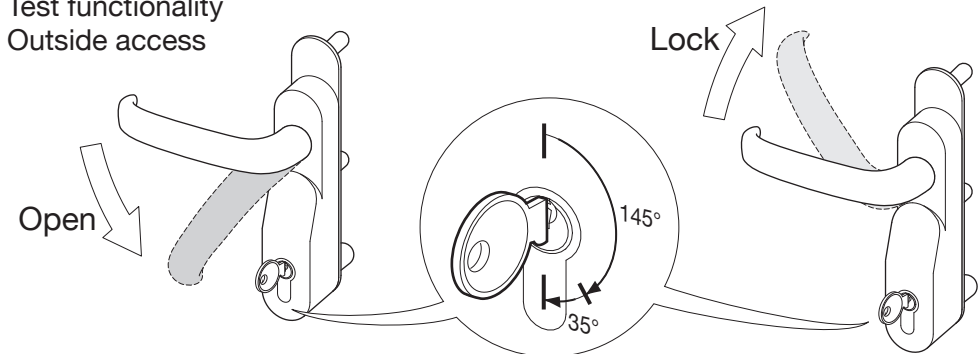
Test functionality Door 1



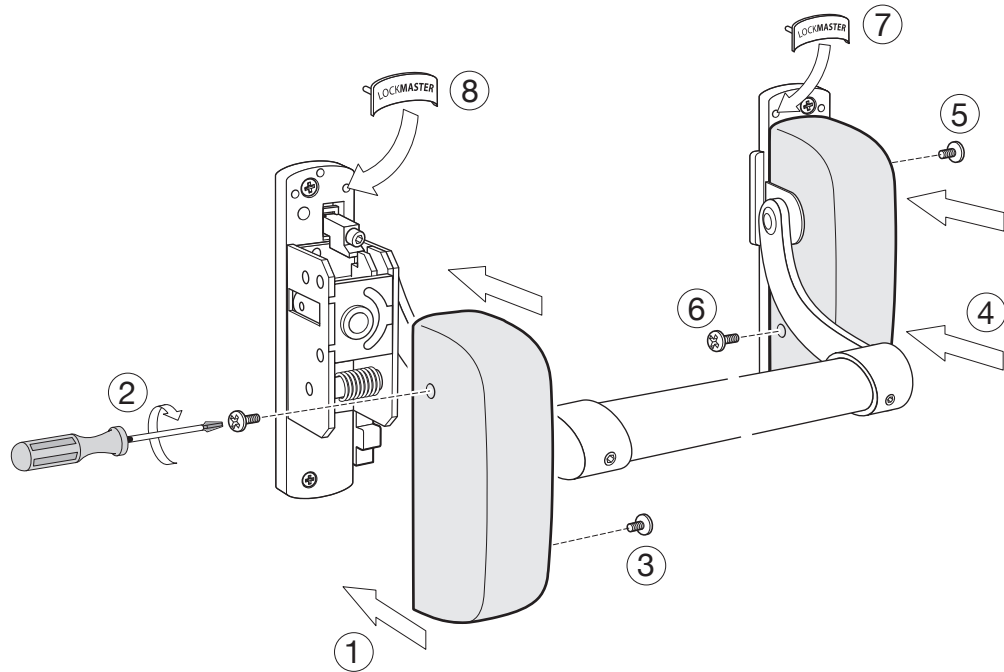
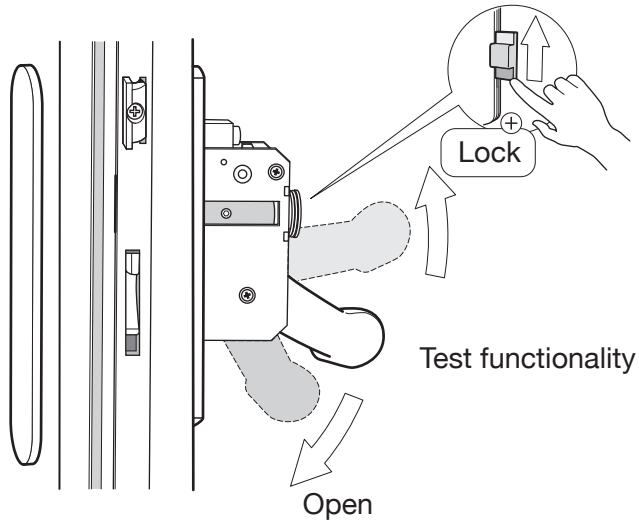
Test functionality Door 2



Test functionality Outside access



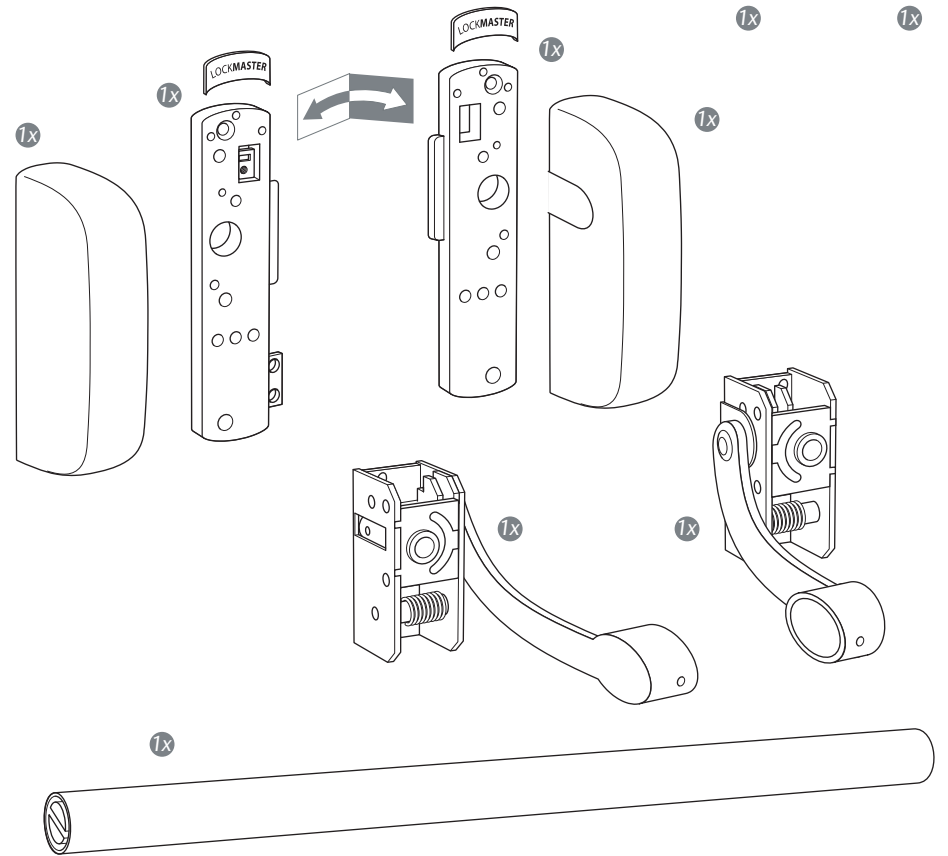
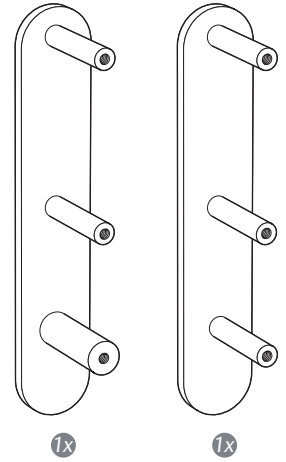
Panic push bar functionality test - covers and badges installation



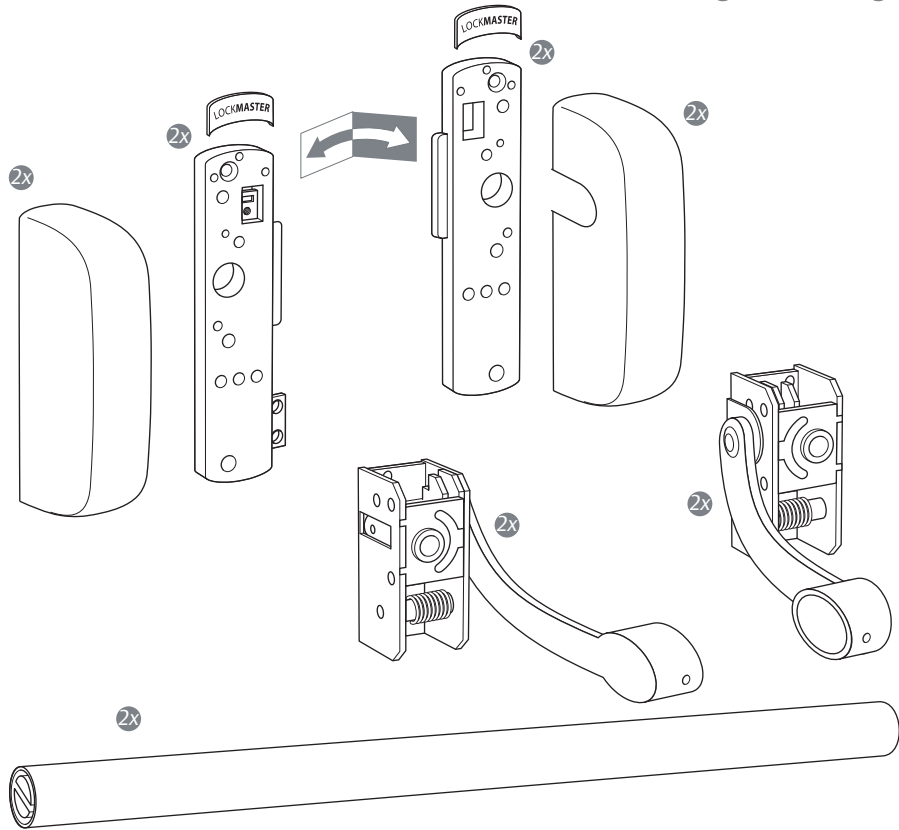
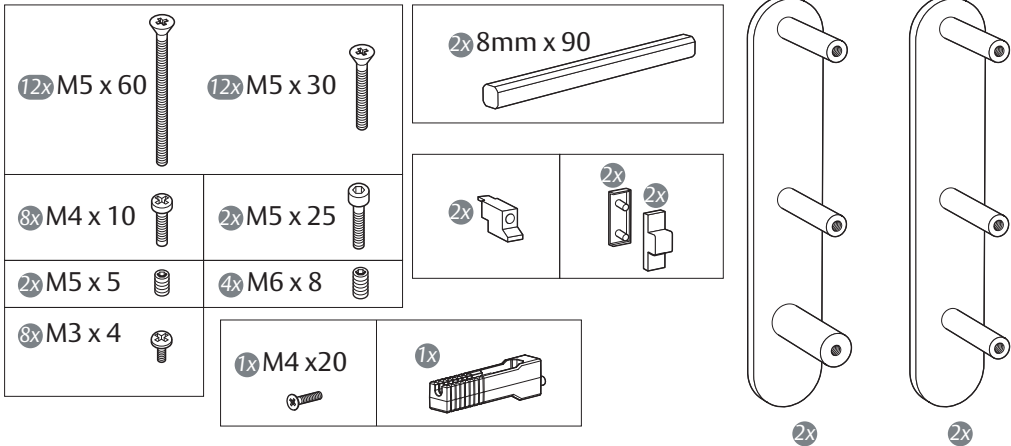
Panic push bar kit - single doors (handed kits come partly assembled)



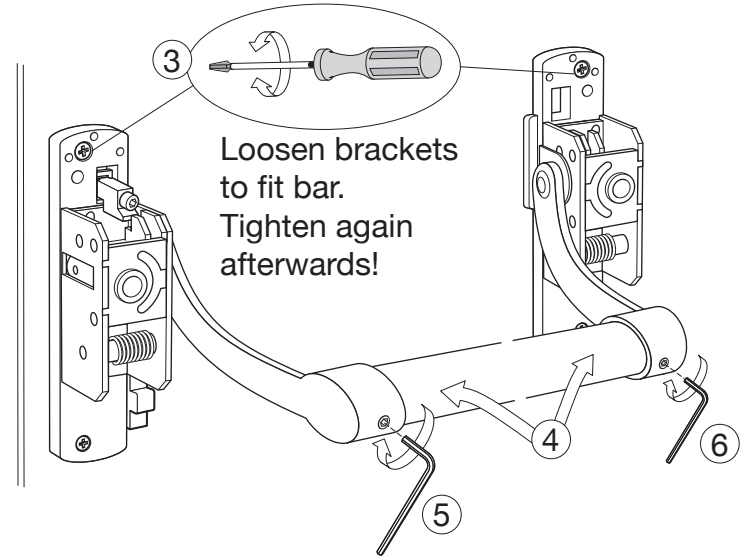
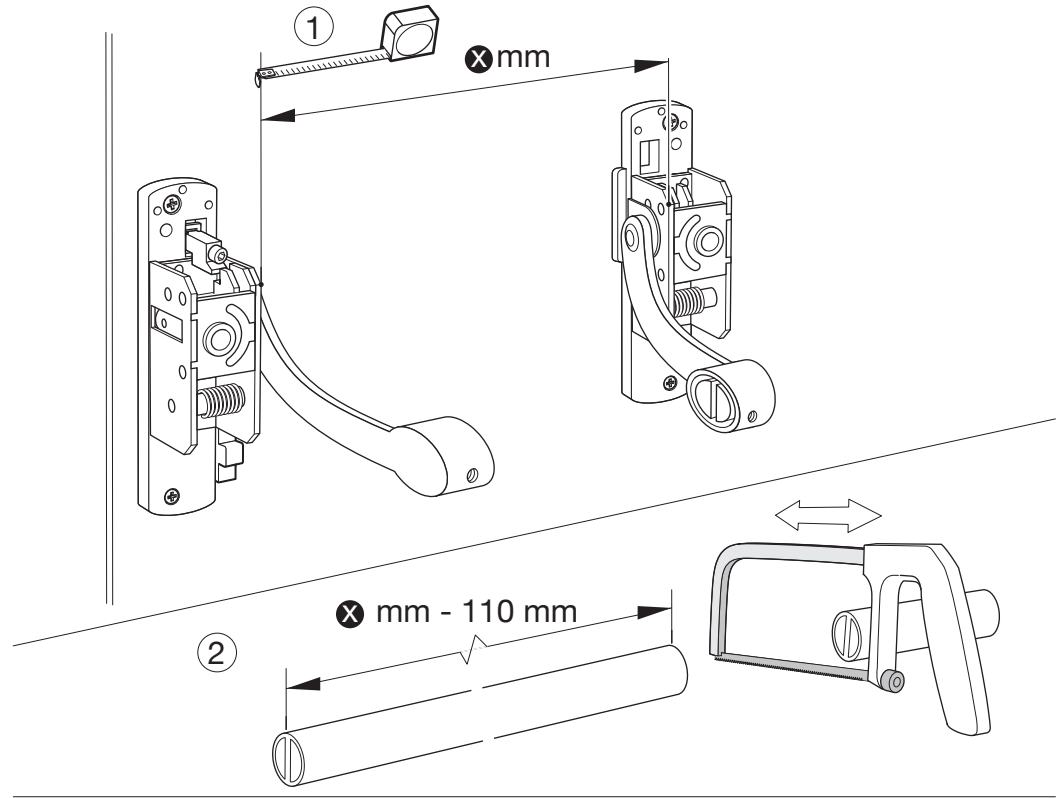
| | | |
|------------|------------|-------------|
| 6x M5 x 60 | 6x M5 x 30 | 1x 8mm x 90 |
| 4x M4 x 10 | 1x M5 x 25 | 1x |
| 1x M5 x 5 | 2x M6 x 8 | 1x 1x |
| 4x M3 x 4 | | |



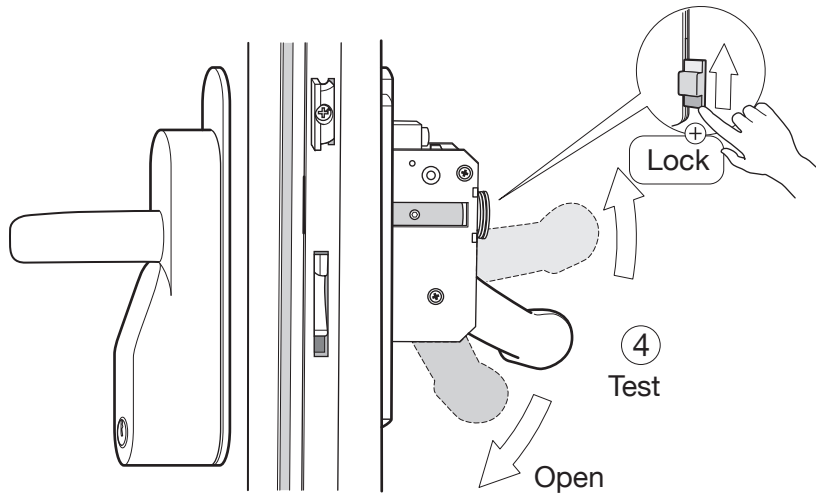
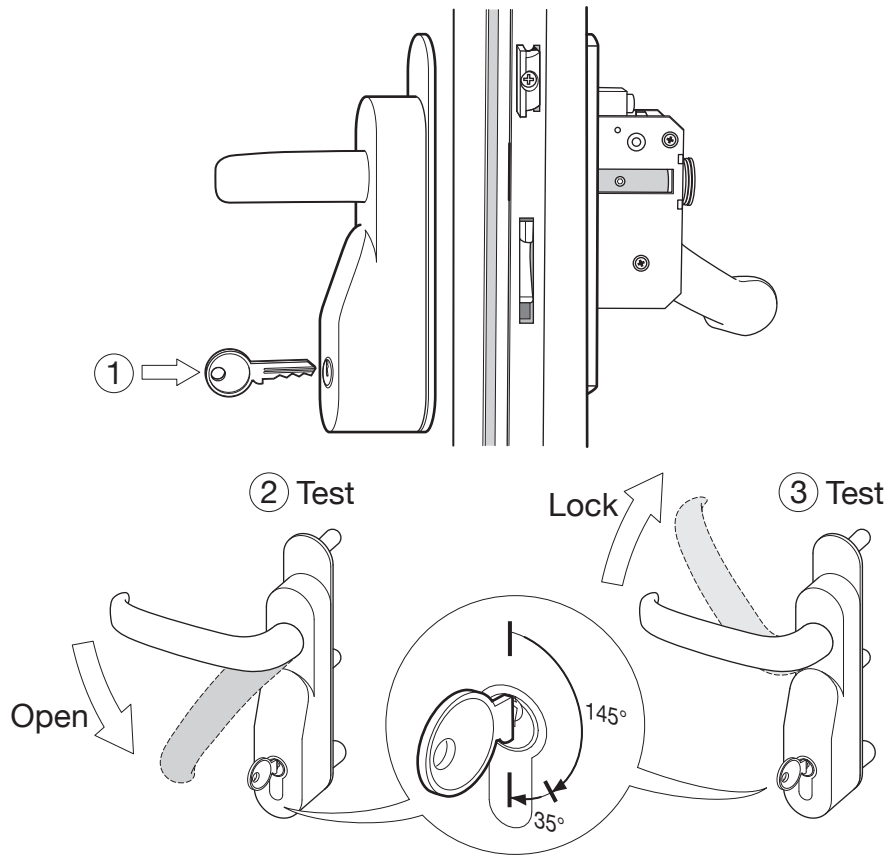
Panic push bar kit - double doors (handed kits come partly assembled)



Panic push bar kit installation



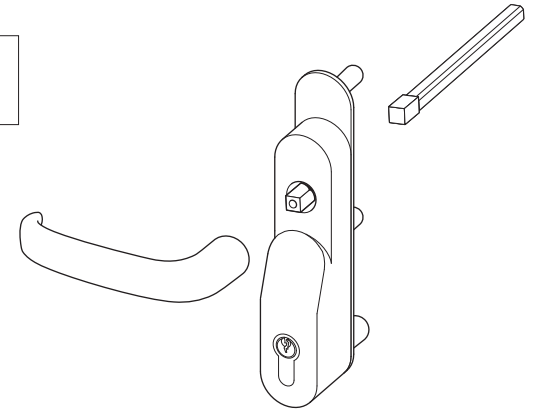
Outside access installation



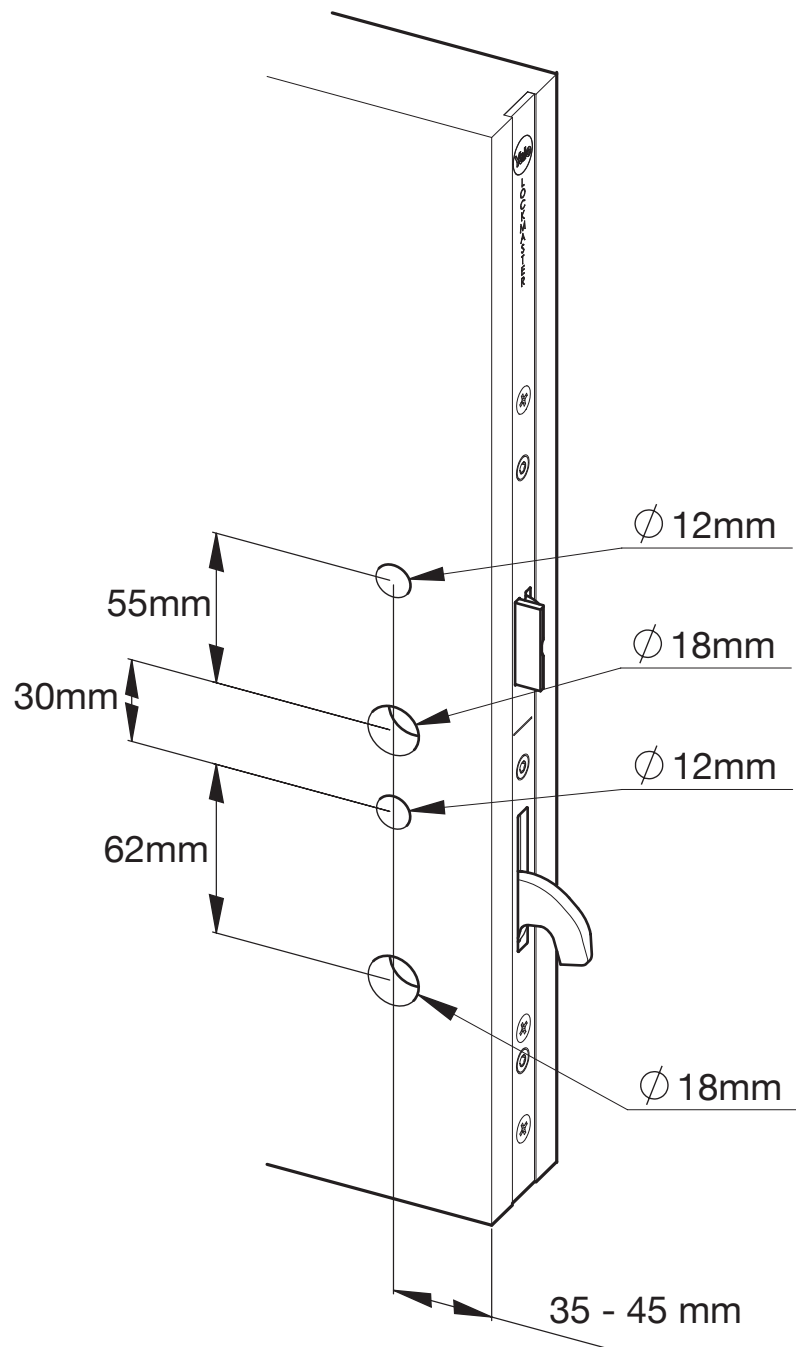
Outside access kit



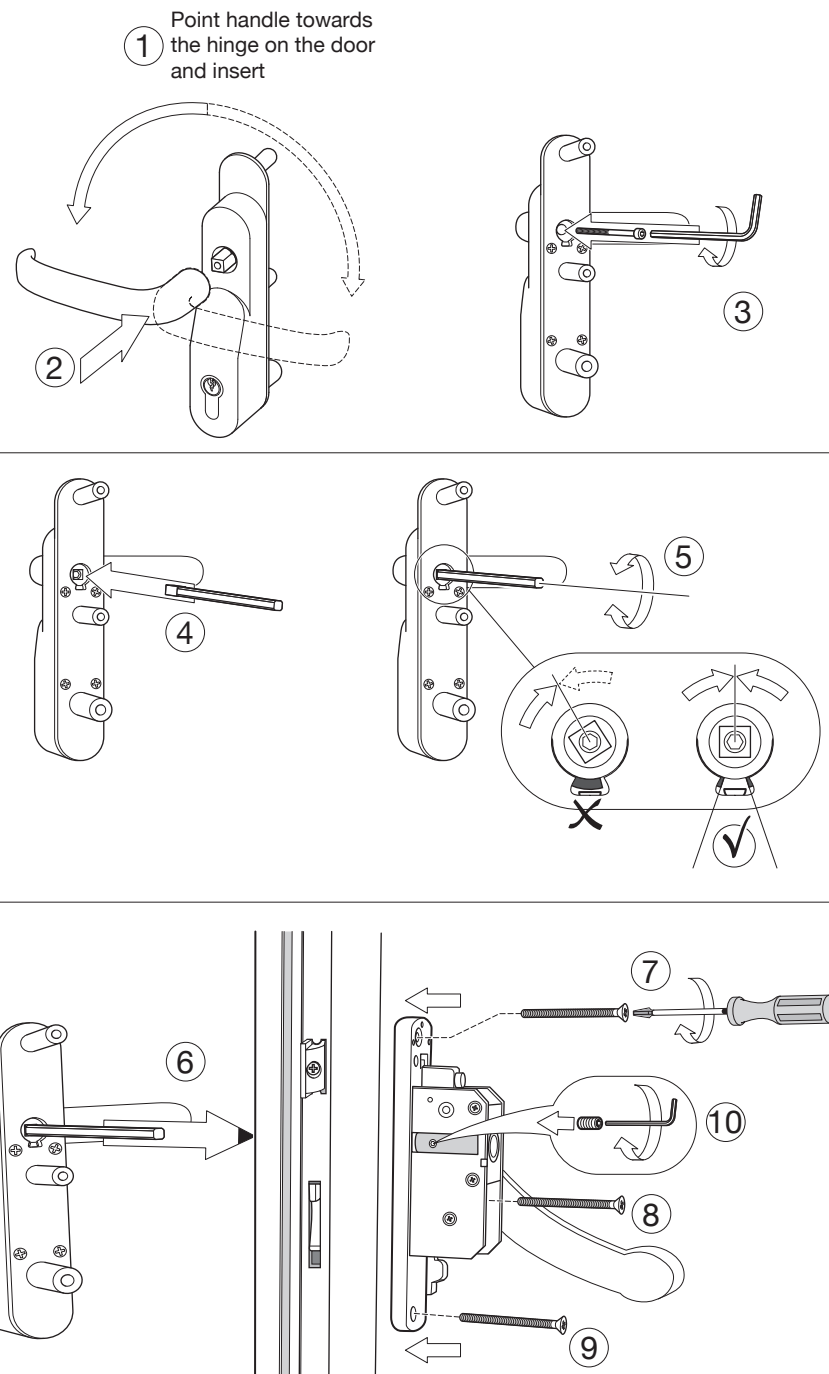
1x M5 x 45



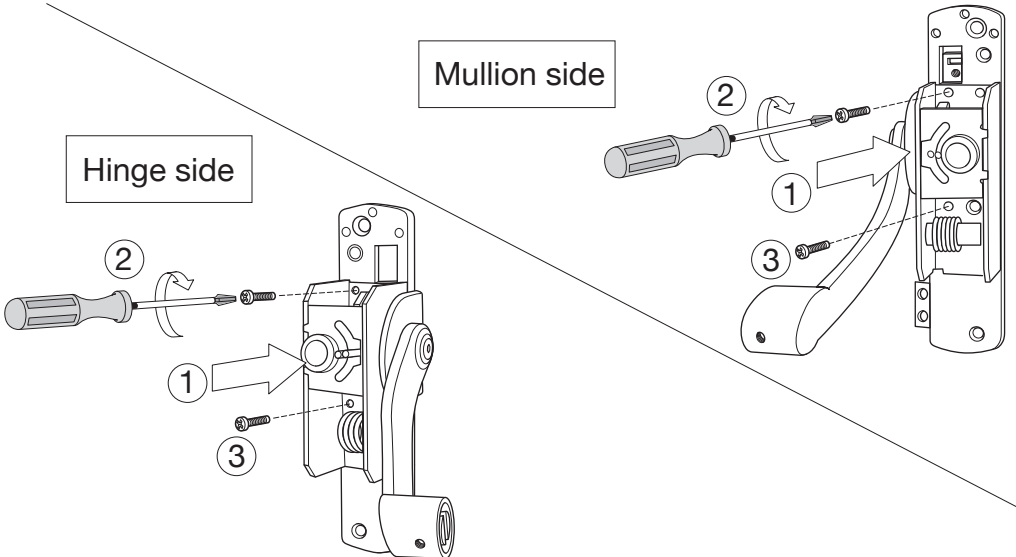
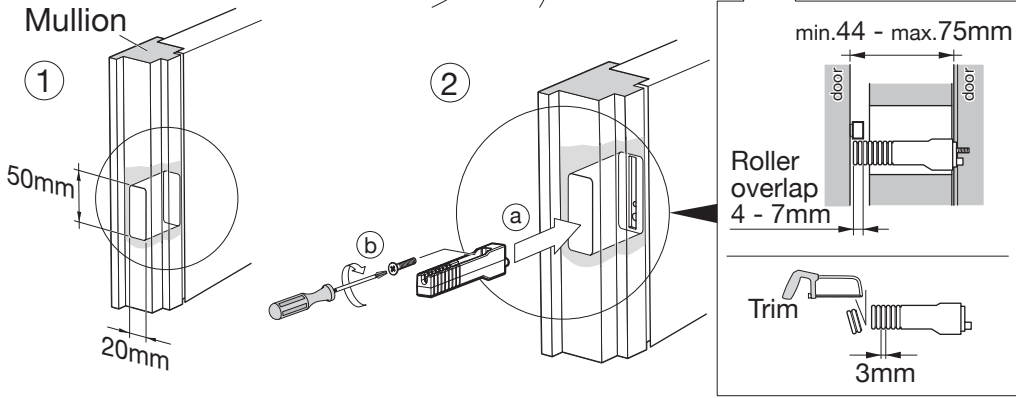
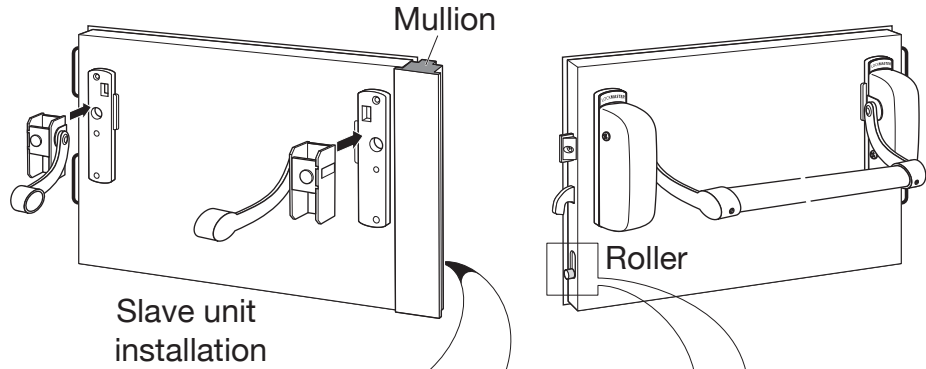
Door / lock preparation



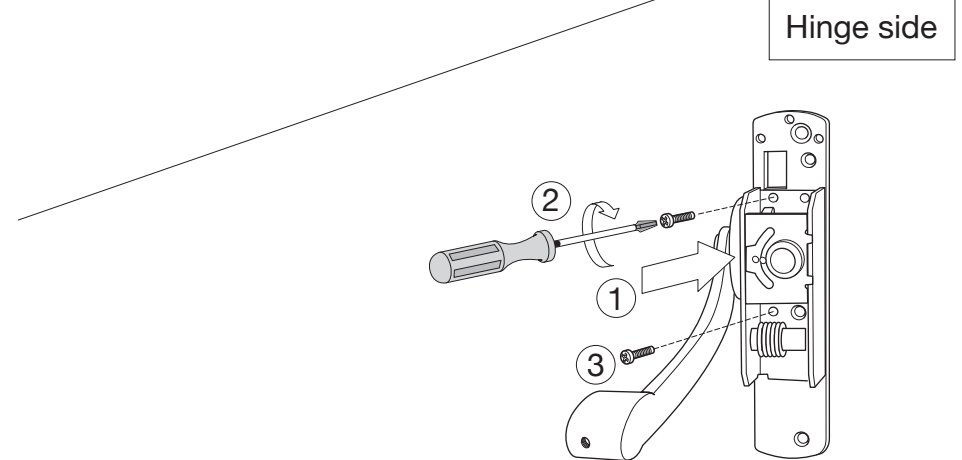
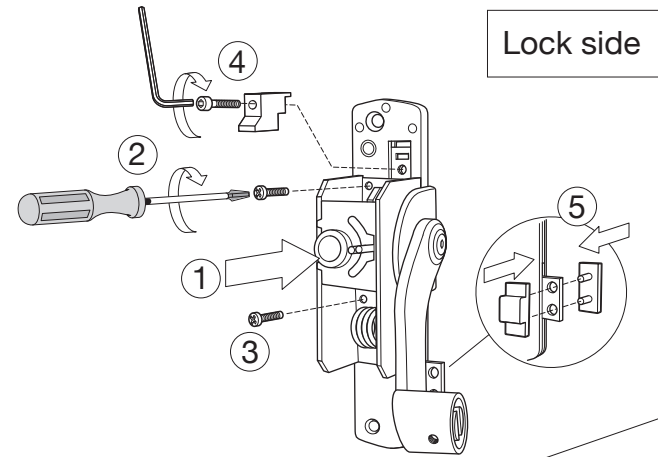
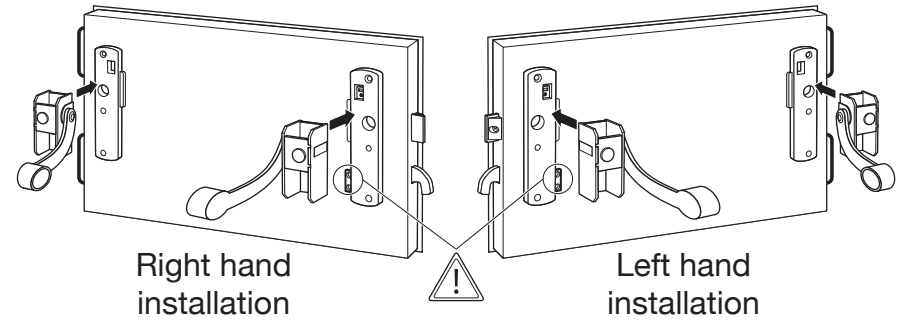
Outside access installation



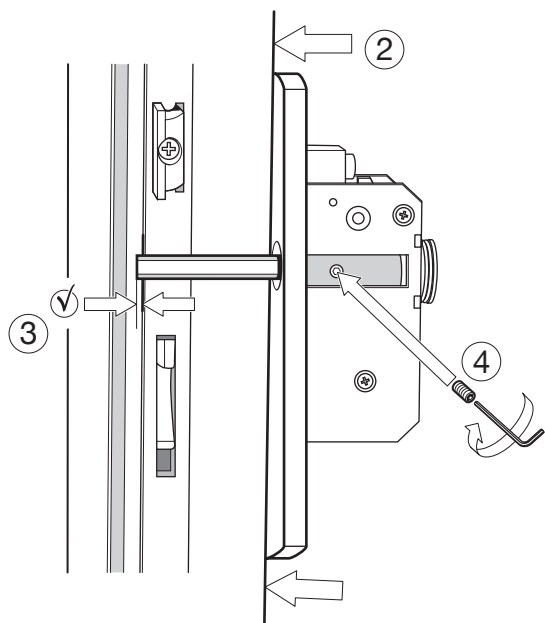
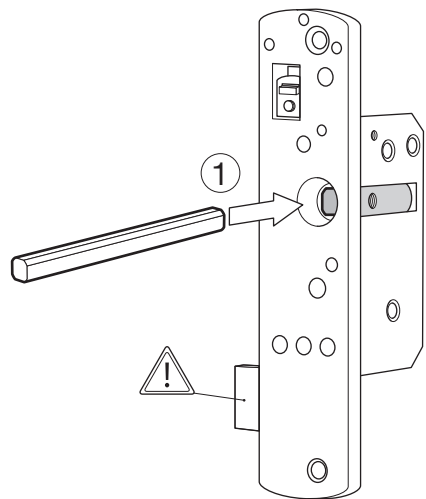
Double door "slave unit" bar kit installation



Panic push bar kit installation



Panic push bar kit installation



Panic push bar kit installation

